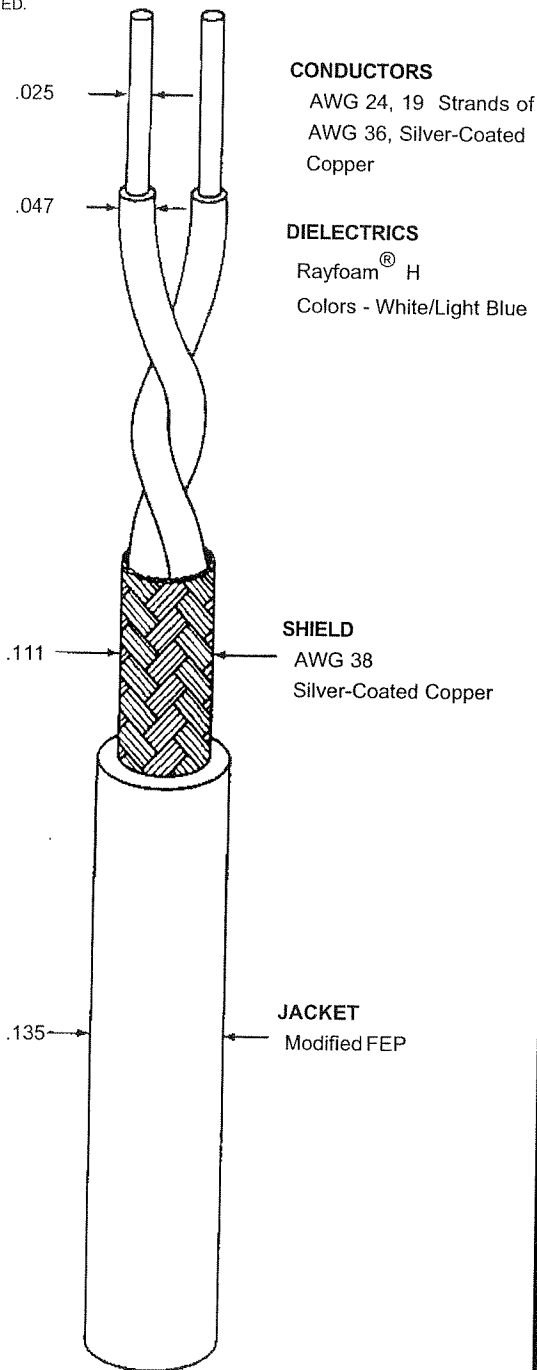


THIS SPECIFICATION SHEET FORMS A PART OF THE LATEST ISSUE OF RAYCHEM SPECIFICATION 1200.

CONSTRUCTION DETAILS

ELECTRICAL CHARACTERISTICS

DIMENSIONS ARE NOMINAL VALUES IN INCHES UNLESS OTHERWISE DESIGNATED.



CHARACTERISTIC IMPEDANCE	78 ± 4 ohms, Method C at 1 MHz
CAPACITANCE - CONDUCTOR TO CONDUCTOR	20 pF/ft. (maximum)
VELOCITY OF PROPAGATION	74% (nominal)
ATTENUATION	10 dB/100 ft. at 100 MHz (nominal)

ADDITIONAL REQUIREMENTS

ELECTRICAL

CONDUCTOR RESISTANCE	23.0 ohms/1000 ft. (nominal)
INSULATION RESISTANCE	10,000 megohms (minimum) for 1000 ft.
JACKET FLAWS	
SPARK TEST	1.0 kV (rms)
IMPULSE TEST	6.0 kV, (peak)
VOLTAGE WITHSTAND (DIELECTRIC)	1000 volts (minimum)

ENVIRONMENTAL

FLAMMABILITY	Method B
HEAT SHOCK	225°C
LOW TEMPERATURE - COLD BEND	-55°C/3.50 inch mandrel

PHYSICAL

INSULATION (DIELECTRIC) (Prior to Cabling)	
ELONGATION	50% (minimum)
TENSILE STRENGTH	600 lbf/in ² (minimum)
JACKET	
ELONGATION	200% (minimum)
TENSILE STRENGTH	2000 lbf/in ² (minimum)
JACKET THICKNESS	.012 inch (nominal)
SHIELD COVERAGE	90% (minimum)

WEIGHT	13.3 lbs/1000 ft. (nominal)
--------	-----------------------------

Outer jacket color will be transparent white (designated by a "-9X" appended to the part number, e.g., 7824E0422-9X) unless otherwise specified.

Designate outer jacket color with a dash number in accordance with MIL-STD-681